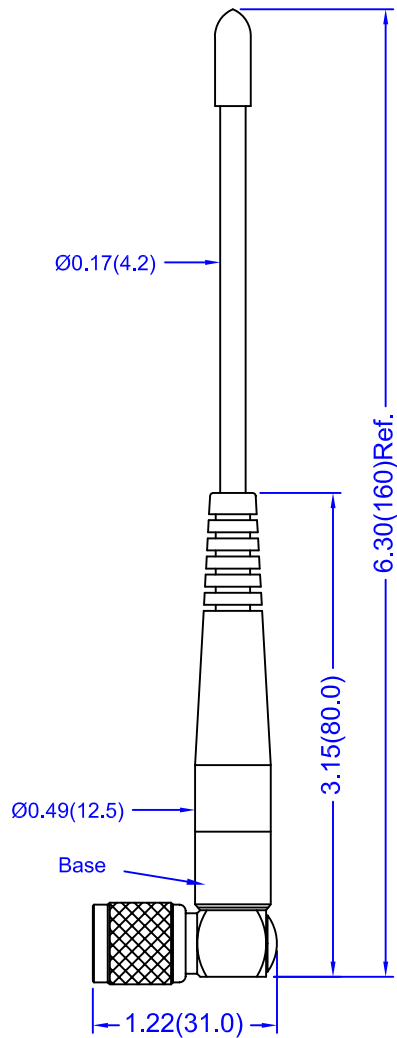
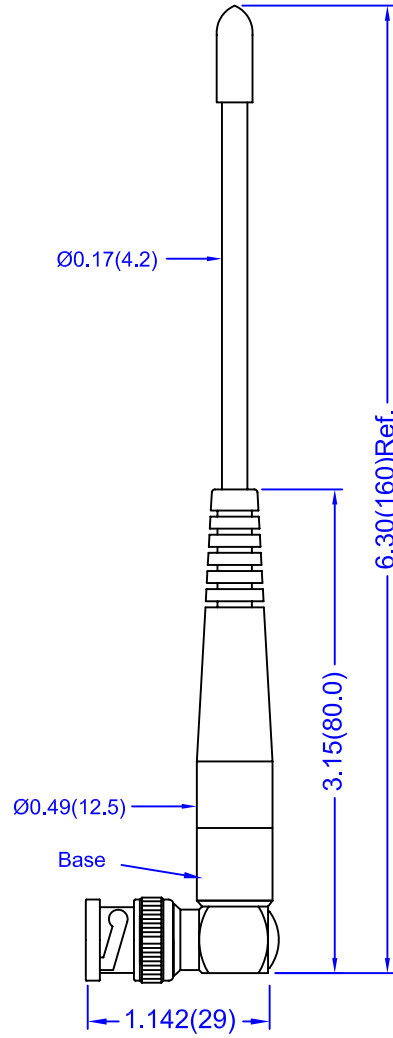


Right Angle
SMA Connector



Right Angle
TNC Connector



Right Angle
BNC Connector

Electrical Properties:

Frequency Range: 902~928MHz
 Impedance: 50Ω nominal
 VSWR: <2.0:1
 Gain: 2.5 dBi
 Radiation: Omni
 Polarization: Vertical
 Wave: ½wave loaded

Mechanical Properties:

Material:
 Whip: Wire (Black)
 Base: Polyacetal(Black)
 Connector: Brass with nickel plating(Black)
 Operation Temp.: -20°C to +65°C
 Storage Temp.: -30°C to +75°C

* Specific part number , please review next page.

TITLE	900MHz ISM Band Antenna -161 Model Right Angle Series		DATE	SHEET
			021505	1 OF 2
UNIT	DWG. NO.	S161XX-915R		
in.(mm)				
SCALE	NEARSON			
0.8:1				

Series Part Numbers

Connector Code -XX-	Description	P / N
AM	SMA Plug	S161AM-915R
AH	SMA Plug Reverse Polarity	S161AH-915R
TC	TNC Plug	S161TC-915R
TR	TNC Plug Reverse Polarity	S161TR-915R
BC	BNC Plug	S161BC-915R
BR	BNC Plug Reverse Polarity	S161BR-915R

Connector Interface



SMA Plug
(AM)



SMA Plug Reverse Polarity
(AH)



TNC Plug
(TC)



TNC Plug Reverse Polarity
(TR)



BNC Plug
(BC)



BNC Plug Reverse Polarity
(BR)

TITLE	900MHz ISM Band Antenna -161 Model Right Angle Series	DATE	SHEET
		021505	2 OF 2
UNIT	DWG. NO.	S161XX-915R	
in.(mm)			
SCALE			
none			